



LN-G3-M
**HIGH DEFINITION DIGITAL DAY &
NIGHT VIEWER**

INSTRUCTION MANUAL

**IMPORTANT: Please read this manual in its entirety
prior to using this device!**

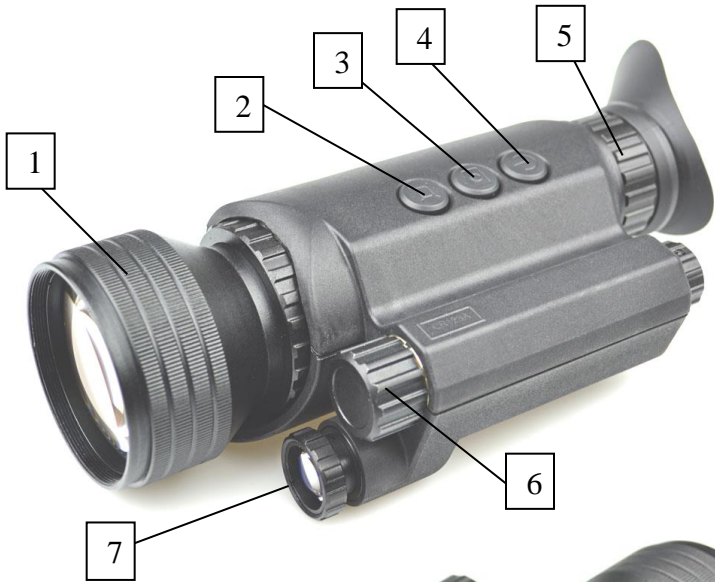
DIGITAL NIGHT VISION TECHNOLOGY:

1. Your night vision viewer operates with batteries. Unlike a daylight binocular, where you see the image due to light traveling through the glass and the prisms, the digital night vision device works by projecting the image onto an OLED display screen. While the CCD/CMOS sensor and the OLED display are the crucial components of your viewer, the optical parts of the unit are also very important, as they gather the light into the CCD/CMOS sensor and then bring the projected image from the OLED screen to your eye. Since the image is projected on the display screen, just like any TV, it has certain limited resolution, so your digital night viewer cannot provide the same crystal clear image, as you see through your daylight binoculars.
2. **Another important point** – your digital night vision viewer has option of full-color, night vision green and black & white image – why? Because, while full-color image is an excellent choice during daylight, it sometimes washes out the details in the dark and will not be as effective as monochrome image during nighttime conditions. The night vision green color was chosen because green color shows more details than any other color in the palette and black & white image is especially useful when reading text or building signs or car plates during nighttime.
3. Your digital viewer is safe to operate during daylight and nighttime hours. **IT IS NOT SAFE FOR YOUR EYES TO LOOK DIRECTLY AT THE SUN THROUGH THIS PRODUCT!** Please note that during daylight you will have to reduce the brightness level of the unit to prevent the image from becoming totally washed out. You should also utilize Color Enhancing Filter, supplied with the unit for daylight operation in order to view more vibrant colors. (Filter is attached to the front lens and also acts as a protective lens cover)
4. For more details on how to operate your viewer, please read this manual completely to ensure proper operation.

YOUR SYSTEM INCLUDES THE FOLLOWING:

1. LN-G3-M High Definition Viewer
2. 8GB Micro SD-card (installed into the SD-card slot)
3. Color Enhancing Filter (installed onto the front lens – daylight use only – remove in the dark)
4. Carry case & Wrist Strap (strap is installed on the monocular)
5. USB Cable & Micro-SD Card USB Adapter
6. 2xCR123A batteries (optional – NON-RECHARGEABLE!)

Please identify all the parts of the device PRIOR to operation!



GLOSSARY:

1 – Objective Lens Focusing Wheel
2 – IMAGE Button
3 – CAMERA Button
4 – POWER & IR Button
5 – Ocular Focusing Wheel
6 – Battery Compartment Cover
7 – Infrared Illuminator

8 – Folding Eyecup
9 – Menu Super Controller
10 – Power / IR Indicator Lights
11 – Connection Area:
11-a) Micro-SD Card Slot
11-b) Micro-USB Connector
11-c) Micro-HDMI Output

INSTALLING THE BATTERIES:

Your device operates on two 3V Lithium type batteries, known as CR123A type commonly available in Electronics/Camera/Convenience stores. **NOTE: it is possible to use rechargeable batteries (CR123R) but please make sure each battery peak voltage is equal to or less than 4.2V**

WARNING: batteries supplied with the unit are not rechargeable – do not charge or recharge these batteries!

WARNING: it is prohibited to charge any batteries inside the unit! Use only approved CR123 battery chargers for this operation.

To install the batteries, unscrew the battery compartment cover (6), and install two CR123A batteries into compartment inserting the positive (+) end first. Once the batteries are inside, replace the cover by rotating it all the way to the end until the stop (do not use force or over-tighten!).

DAYLIGHT COLOR ENHANCING FILTER:

Your monocular is equipped with a unique daytime color enhancing filter, which provides vibrant and accurate colors rendition (digital image sensors are known to distort colors and provide an unnatural color image during daytime. The filter comes

attached to the objective lens and we strongly recommend keeping it on during daytime use. During nighttime you will need to remove the filter (by unscrewing it counter-clockwise). Please keep the filter in the carrying case when removed from monocular to prevent accidental loss.



TURNING THE UNIT ON AND OFF:

Your night vision unit has one-touch push-buttons. To turn the unit ON, press the POWER Button (4) momentarily once. The LED Power Indicator (10) located on the back of the unit should light up in green color. Look through the eyecup (8) – you should see the Welcome screen for a few seconds, followed by image. Even if the image is not yet sharp, the unit is operating. To turn the unit OFF, press and hold the POWER Button for 2 seconds. The image will disappear if you turn the unit off correctly. We suggest to always replace the daytime color filter / protective lens cover after the unit is turned off and no longer in use.

IMPORTANT: When turning the unit ON or when switching between various modes (Video, Photo etc.) or when operating the unit with Wi-Fi stream activated, it is normal to see some image flickering in the display. This is normal and does not affect the unit. If the flickering does not disappear once the affecting functions are no longer active, please re-start the unit. If conditions persist, please contact us at: info@lunaoptics.com for assistance.

OPERATING FROM A USB POWER BANK:

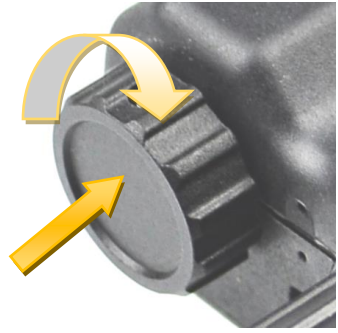
Your digital viewer can also operate from the commonly available 5V USB Power Bank chargers. Please make sure the output of the Power Bank is at least 2A, as less powerful output may fail to power the unit especially when the IR illuminator is activated. To connect the Power Bank, open the Connection Area (11) rubber cover by gently pulling it outward and then swing it counter-clockwise to the right and locate the Micro-USB connector (11-b). Connect the small end of the USB cable (included) to the connector and then connect the large end of the cable into Power Bank output. You may need to activate the power bank first, prior to turning the viewer on.

FOCUSING THE UNIT:

To obtain the sharp image, you must first rotate the Objective Lens Focusing Wheel (1) in either direction, until you notice in which position the image is at its best. After that, rotate the Ocular (Eyepiece) Focusing Ring (5) also until the image is at its best. You may have to repeat the process again, until the image is sharp and clear. Once the clear image is obtained, you will no longer need to adjust the eyepiece, just rotate the front objective lens to adjust the distance to the object you are viewing.

SUPER CONTROLLER / MENU FUNCTIONS:

Your monocular features a unique and user-friendly adjustment called Super Controller (9). It incorporates various operating functions and makes navigating and adjusting menu functions fast, easy and natural without having to take your eyes off the eyepiece in the field. It is especially useful when using in the dark conditions where button location may be particularly difficult. Super Controller activates the Main Menu by pressing onto it for approx. 2 sec.



Once activated, all Menu navigation is done the following way:

- **Scrolling through the menu contents:** rotate the Super Controller in either direction (each click scrolls the menu by one step)
- **Selecting and confirming function:** short-press onto the Super Controller
- **Return from selected function to Main Menu:** Long-Press onto Super Controller (2 sec)
- **Exiting the Main Menu:** Long-Press onto the Super Controller (2 sec)

MAIN MENU consists of the following selections:

MODE:

- **Video:** this mode allows you to record videos when CAMERA button (3) is pressed during operation
- **Photo:** this mode allows you to capture still images when CAMERA button (3) is pressed during operation
- **Playback:** this mode allows you to playback videos and photos stored on your SD card

RESOLUTION:

- **FHD 1080P@30:** Video record in Full-HD (Blue-Ray quality) at 30fps
- **HD 720P@60:** Video record in HD at 60fps (preferred at nighttime)
- **HD 720P@30:** Video record in HD at 30fps
- **WVGA 480P@60:** Video record at DVD quality at 60fps

NIGHT VISION:

- **Normal:** Image is displayed in Full-Color (best for daytime or well-lit room – keep the red filter on the front lens)
- **B&W:** Image is B&W (good for nighttime city setting)
- **Green:** Image is traditional night vision green (good for nighttime field use)

WI-FI:

- **ON:** Turns the Wi-Fi signal ON. See page-13 for instructions
- **OFF:** Turns the Wi-Fi single OFF

DATE/TIME:

- **Please see Page-8** on how to set the date/time on your monocular

FORMAT:

- **Cancel:** Exit formatting
- **OK:** Format your SD-card (all files will be erased!)

DEFAULT SETTINGS:

- **Cancel:** Exit to main menu
- **OK:** Returns monocular to factory settings

VERSION:

- Displays current software version installed in your device

ELECTRONIC IMAGE MAGNIFICATION ZOOM:

Your unit is also equipped with electronic zoom function, which allows you to change image magnification from 6x to 36x. To increase the image magnification rotate the Menu Super Controller (9) to the right (clockwise) and look into the ocular – you will see the image magnification increase with each rotation click by 3x. See below magnification chart according to each rotation:

6x – 9x – 12x – 15x – 18x – 21x – 24x – 27x – 30x – 33x – 36x

You can observe the current zoom level on the bottom left corner of the image display once you start rotating the Super Controller. To decrease the image magnification, rotate the Super Controller to the left (counter-clockwise) and image magnification will decrease by 3x with each rotation. Factory default setting is 6x

NOTE: During any image magnification adjustments, please avoid pressing onto the Super Controller, as this may activate the device main menu.

SHORTCUTS (MULTIPLE BUTTON FUNCTIONS):

The three top buttons can be used to skip the main menu navigation and provide quick shortcuts to the most popular functions:

POWER & IR BUTTON (4):

- a) Initial short-press – turns the power ON
- b) When power is ON, single short press activates 1st power level of IR illuminator. There are 3 IR power levels – each consecutive short-press increases the power by one level. 4th short-press turns the IR illuminator OFF
- c) When power is ON, long-press shuts the power OFF



CAMERA BUTTON (3)

- a) Factory default setting is VIDEO. Short-press activates video recording
- b) Long-press activates Mode selection. Once activated each single long-press selects between VIDEO / PHOTO / PLAYBACK modes
- c) Once selection is changed single short-press on this button will either activate Video recording, Still Image capture or Playback function

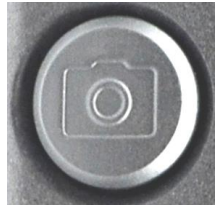


IMAGE BUTTON (2)

- a) Default function – OLED display brightness. Each short-press increases the display brightness by one level. There are 7 brightness levels and the factory default setting is level-2. See page-11 for more image brightness adjustment information
- b) Long-press the IMAGE button and you can now select the Night Vision color setting. After getting into this mode, each long-press selects between COLOR / BLACK & WHITE / GREEN image options. See page-7 and page-10 for suggestions which color selection is best for various settings.



SETTING UP DATE AND TIME:

As your viewer has capability to take images and record video, time and date is automatically stamped onto each image and video recording. To set the correct date and time, please follow this procedure:

Turn the unit ON. After image appears, press onto the Super Controller (9) and hold it for approximately 2 seconds to activate the menu. Scroll until Date/Time function by rotating the Super Controller and select it

by momentarily pressing onto it. To adjust the numbers, rotate the Super Controller in either direction. To switch between numbers, press onto Super Controller momentarily. After Date is set, adjust the time. Time is in 24hr format, so 13:00 is 1pm; 17:30 is 5:30pm and so on. As with the date, changing hours and minutes is done by rotating the Super Controller and moving between hours and minutes is done by pressing onto it. Once the time is adjusted you may choose to change the date format to MM/DD/YYYY or YYYY/MM/DD according to your preference. Once you are finished setting date and time, you can exit the menu by pressing Super Controller (9) for approximately 2 seconds. Once set, the time will be displayed on the bottom of the OLED image display.

IMPORTANT: in order to preserve the set date/time do not remove the dead batteries from the unit until you are ready to replace them with the new set, then replace the old batteries with new set as quickly as possible and the date/time will be preserved.

USING INFRARED ILLUMINATOR:

Your digital viewer is equipped with a built-in powerful Infrared illuminator light (7). This light operates in a spectrum, which is normally invisible to a human eye, however with the help of the CCD sensor, located inside the unit, you will see a beam of light when looking through the ocular lens. Since the CCD does not actively amplify the available light, you will need to utilize the IR illuminator often in the nighttime conditions.

To turn the Infrared illuminator ON, press the Infrared illuminator button (4) momentarily – the IR icon will appear on the bottom of the display and red LED light indicator (10) located next to the eyepiece will light on, indicating the IR illuminator is operating. The illuminator intensity can be further increased by pressing the IR button (4) second and third time (momentarily). The IR icon in the image display will change colors from pink to orange to red, indicating the three different power levels. After the red level (3rd and most powerful) the next momentary press on the IR button will turn the IR off completely. The red LED light indicator (10) will disappear when the IR illuminator is properly turned off.

When using the infrared illuminator it is important to remember that like a flashlight, it is brightest when used in short distances. As the distance increases, the intensity of the infrared light fades away.

Extended range IR illuminators are available (model LN-EIR-2, or LN-ELIR-2), which can be mounted into the single (black) bottom accessory mount socket. The thread is a standard ¼" type and will accept any accessory with mounting screw of that size. If the black bottom mount is utilized for tripod mounting, you can utilize any of the two gold sockets. Please note that due to the monocular shape a special riser plate will be required to mount our LN-EIR-2 or LN-ELIR-2 (please e-mail us at info@lunaoptics.com and request this riser plate if your extended range illuminator did not come with it).

IMAGE COLOR OPTIONS:

- **Normal mode** displays images in full-color. This is preferred mode for daytime use as well as when enough artificial light is present (inside a well-lit room). If used during nighttime the overall sensitivity of the image sensor will be significantly reduced.
- **B&W mode** displays images in black and white. This mode is particularly useful during nighttime city setting when it might be important to read the street signs or automobile plates or similar situations where highest contrast between light and dark colors is necessary.
- **Green mode** allows you to experience image as seen with traditional “tube” night vision devices. This mode is best utilized at nighttime in the field / forest settings

IMPORTANT: PLEASE READ!

Due to the inherited limitations of any digital image sensor, video refresh rate will be significantly slower during nighttime, resulting in visible image lag/delay when using your monocular in the dark. It is important to take the following steps to minimize this effect and ensure the best possible image and video recording quality:

- During nighttime and in any dark condition always activate built-in IR illuminator – it will provide extra light needed for the image sensor to “speed up” its refresh rate and image delay will be minimized.
- During nighttime you need to remove the daylight color enhancing filter – it will block most of the Infrared light from the built-in IR illuminator resulting in very dark image.
- Always try to utilize a quality tripod for any video recording done at nighttime. This will ensure steady placement and will minimize image delay when filming a moving object.

BRIGHTNESS ADJUSTMENT:

Your digital viewer is equipped with dual image brightness control. An automatic picture optimization sensor adjusts the image according to the available ambient and artificial light. In addition a manual Image Brightness Button (2) allows you to fine-tune the image brightness to the most comfortable level. Please note that during daylight you will need to tone the brightness down to avoid image flickering and/or washout and to preserve the battery life. During nighttime you could increase the brightness all the way up, however when utilizing built-in or external IR illuminator, you may still need to tone the brightness down. Each momentary press onto the IMAGE Button (2) will increase brightness by one level until it reaches maximum level – then it will reset to the lowest brightness setting.

TAKING PICTURES AND RECORDING HD VIDEOS:

Your digital viewer has the ability to take High-Resolution pictures and record HD videos onto the external Micro-SD card. 8GB card is included with your unit and it is already installed into the SD-card slot. The Micro-SD card can be upgraded up to 128GB, which is especially useful if you plan to record a lot of videos **See RE-FORMATting 64 & 128GB CARDS TO FAT32 FORMAT on page-14 for important instructions.**

Your monocular has a multi-use CAMERA button (3). It can be used to record video and capture still images. You can switch the function of this CAMERA button by activating the Main Menu (long press onto Super Controller (9)) and selecting Mode function and then select either Video for video recording or Photo for still image capture. **Please refer to Page-6 for instructions on how to use Super Controller and Menu options.**

To take a still image, focus the unit onto the object you are viewing and with a steady hand firmly press the CAMERA button (3) once. The display will give a countdown (2-1) and then image is taken and is automatically stored onto the SD card. All still images are taken at 4032x3024 resolution (12.2MP)

To record a video, focus the unit onto the object and press CAMERA button (3) once. The system will start recording. To stop recording, press CAMERA button once again. During recording it is still necessary to re-adjust the focus if you wish to record different objects, located at

different distances. There are 4 different video recording resolution options:

1. FULL-HD 1080P / 30FPS: Blue-Ray quality recording. Best for recording in daylight with color filter on when highest video resolution is necessary. Also good for recording at nighttime without the color filter, when monocular is stationary on a tripod and no sudden movements are expected
2. HD 720P / 60FPS: Excellent for daytime and nighttime recording.
3. HD 720P / 30FPS: Daytime and nighttime recording.
4. WVGA 480P / 60FPS: DVD quality recording, great for space saving mode where large amount of video is expected

DATA VIEWING AND DATA TRANSFER OPTIONS:

It is possible to view the images and videos directly on the unit's micro-display. To do so, while the unit is operating access the main menu by pressing the Super Controller for 2 seconds. Enter "Mode" menu and choose "Playback". As always, scrolling between functions is done by rotating the Super Controller and function selection is done by short-pressing the Super Controller. Once in the Playback Mode you will be able to switch between photos and videos by rotating the Super Controller and short-pressing Super Controller will activate any video file. To exit the Playback Mode simply press Super Controller for 2 seconds.

You can connect the unit directly to the computer via USB connection by utilizing the micro-USB connector (11-b). To do so, connect the micro-USB part to the unit, then connect the standard USB part to the computer. Device does not need to be powered. It will power up once connected. Look through the eyepiece – words **MASS STORAGE** will be displayed. Connection will start automatically once the software download is finished (also done automatically). Once download is done, you will be able to open and transfer all of your SD-card files onto your computer.

Alternatively, you can remove the micro-SD card from the monocular and use it in the included USB flash drive adapter to transfer data to your computer. Carefully open the Connection Area (11) rubber cover by gently pulling it from the left side outward and then swing it counterclockwise to the right and locate the Micro-SD Card Slot (11-a). Gently push onto the micro-SD card and it will pop out. If your

computer has a direct micro-SD slot, you can insert the card directly to the slot bypassing the above options. It is also possible to utilize the full-size SD card adapter (not included with monocular). To replace the micro-SD card gently push it into the slot (11-a) until it clicks and stays in it.

CONNECTING TO EXTERNAL VIDEO SOURCE:

You can connect your device to the HD source, such as HDTV or monitor via the micro-HDMI cable (included with your device). Carefully open the Connection Area (11) rubber cover by gently pulling it from the left side outward and then swing it counterclockwise to the right and locate the Micro-HDMI output (11-c) Connect the small end of the cable to the micro-HDMI Output and then connect the large end of the cable to the HDMI input on your TV or monitor.

WI-FI LINK AND OPERATION INSTRUCTIONS:

1. Download **“Wi-Fi Action Camera”** App on your Android phone/tablet or on iPhone/iPad by either searching in the store, or by scanning the appropriate QR code provided below for your convenience and choose to link to the store.
2. Enter Main Menu via Super Controller (9) and scroll to Wi-Fi selection. Turn the Wi-Fi ON. Now look through the eyepiece and observe the Wi-Fi signal name and Password. The Wi-Fi signal is the first line of the screen and the password is on the second line.
3. Open the App and click on **“Connect Camera”** – camera will not connect at this time.
4. Click on **“Go Settings”** – Find the device Wi-Fi signal on your phone (same as shown on the unit’s display) and select it.
5. Enter password (second line of the unit’s OLED display) – NOTE: only numbers after “:” are needed to be entered – typical default password is 12345678. Once connected make sure your phone is set on **“staying connected”** to this Wi-Fi source even though there is no internet available. This will prevent automatic disconnection by your phone.
6. Close the app and open the app again and click on **“Connect Camera”** – Green check (✓) sign means camera is now connected.



7. Follow on screen menu on your mobile phone to utilize the available features of the app. NOTE: during Wi-Fi streaming the ZOOM and MENU functions are disabled and cannot be utilized!
8. During Wi-Fi streaming single press onto the Super Controller activates either Video or Photo capture. Repeat press deactivates video.
9. If the App shuts down during normal use, please re-start it, or re-install it on your mobile device if it happens more than twice.



Android QR Code



Apple QR Code

RE-FORMATTING 64GB & 128GB MICRO-SD CARDS TO FAT32 FORMAT:

Any micro-SD card above 32GB needs to be re-formatted from EXFAT format to FAT32 format, which is the format of the night vision monocular (and many other consumer electronics). Please note that FAT32 is the most widely used format and is also considered the most reliable format.

In order to re-format the card you must run it through a 3rd party provider. We suggest using Disk Partition. While nearly all of the providers would want you to buy their upgraded versions, you can just download their basic free version and it would be sufficient to re-format the card. Disk Partition seems to be the most simple and hassle-free provider we could find:

<https://www.disk-partition.com/download.html>

- Download the “Standard Free” version and follow all the download instructions.
- Once downloaded, open the program and insert the micro-SD card into the computer.

- Highlight the correct disc by single-click and then choose on the bottom left side of the menu to “Format Partition” (alternatively right-click on the highlighted disc and choose the same function). A pop-up window will appear. You can label your partition (such as “Luna Optics Monocular” or any other name you desire (it’s optional) and then make sure to select “FAT32” as the File System. Then click “OK”.
- Once the format is finished, click on “Apply” located in the most upper left corner. You must select “Apply” otherwise the formatting is not finished.
- Your card is now formatted, but before you can use your 64/128GB card in our digital night vision product you must also format the card inside the product. To do so, insert the card into its slot (11-c), turn your monocular on and through the menu find and select “Format”, then select “OK”. Once the card is formatted inside the night vision device it is now ready to use.

TROUBLESHOOTING:

1. Unit does not turn on and the light indicator is off:
 - a) please check if the batteries are inserted correctly
 - b) please make sure the batteries are fresh
2. The light indicator is working, but you cannot see the image:
 - a) You may be turning the unit on in a dark area without utilizing the IR illuminator. Please also remove the protective lens cover.
3. Unable to obtain sharp and clear image:
 - a) you may need to repeat the process of rotating the ocular and objective lens several times until you get a good feel of it
 - b) You may be viewing an object that it too close – the minimum focusing distance is approximately 80cm or 2.6ft
4. During image magnification adjustment Main Menu activates:
 - a) You have accidentally pressed onto the Super Controller. Press onto it again for approximately 2 seconds and Menu will disappear.
5. I’m trying to turn the IR illuminator on and instead the unit shuts down:
 - a) You are holding the Power/IR button for more than 1 sec. In order to turn the IR illuminator on, you must press the button only momentarily.

WARNING! NEVER ATTEMPT THE FOLLOWING:

- Try to disassemble the unit by yourself or by anyone who is not our authorized technician. Doing so may result in injury and will void any warranty claims
- Charge batteries included with the unit – they are not rechargeable!
- Charge ANY batteries inside the unit – it can only be done in the correct battery charger!
- Submerge the unit into water or use it during heavy rain.
- Look directly at the sun through this device.

TECHNICAL SPECIFICATIONS:

CCD/CMOS Resolution / Sensitivity: _____ Full-HD 1920x1080 / 0.005lux
Image Display: _____ 0.38" HD micro-AMOLED 1280x720
Still Image resolution _____ 4032x3024 (12.2MP) JPEG
Video resolution (signal) _____ Full-HD 1080p AVI (NTSC / PAL)
Video Recording options _____ 1080p / 720p / WVGA / VGA
Image Magnification _____ 6x-36x
Objective Lens _____ F1.0/50mm
Focusing Distance _____ 80cm (2.6ft) - ∞
Viewing Distance (daylight, 6x) _____ 600m (656yds)
Viewing Distance (IR complete darkness) _____ 200m (219yds)
Field Of View _____ 9°
Memory _____ Micro SD card (up to 128GB)
Wi-Fi _____ Android/iOS
Battery Power _____ 2 x 3V Lithium (CR123)
External Power _____ 5V/2A micro-USB
Operating Time (battery power) _____ 3-3.5hrs
External outputs _____ micro-HDMI / micro-USB
Dimensions _____ 170mm x 80mm x 63mm (6.7"x3.1"x2.5")
Weight _____ 510g (17 Oz)
Warranty _____ 1yr

LUNA OPTICS, INC. 300 Hawthorn Dr., Fate, TX 75087 (USA)

E-mail: info@lunaoptics.com Web: www.lunaoptics.com

© 2019